

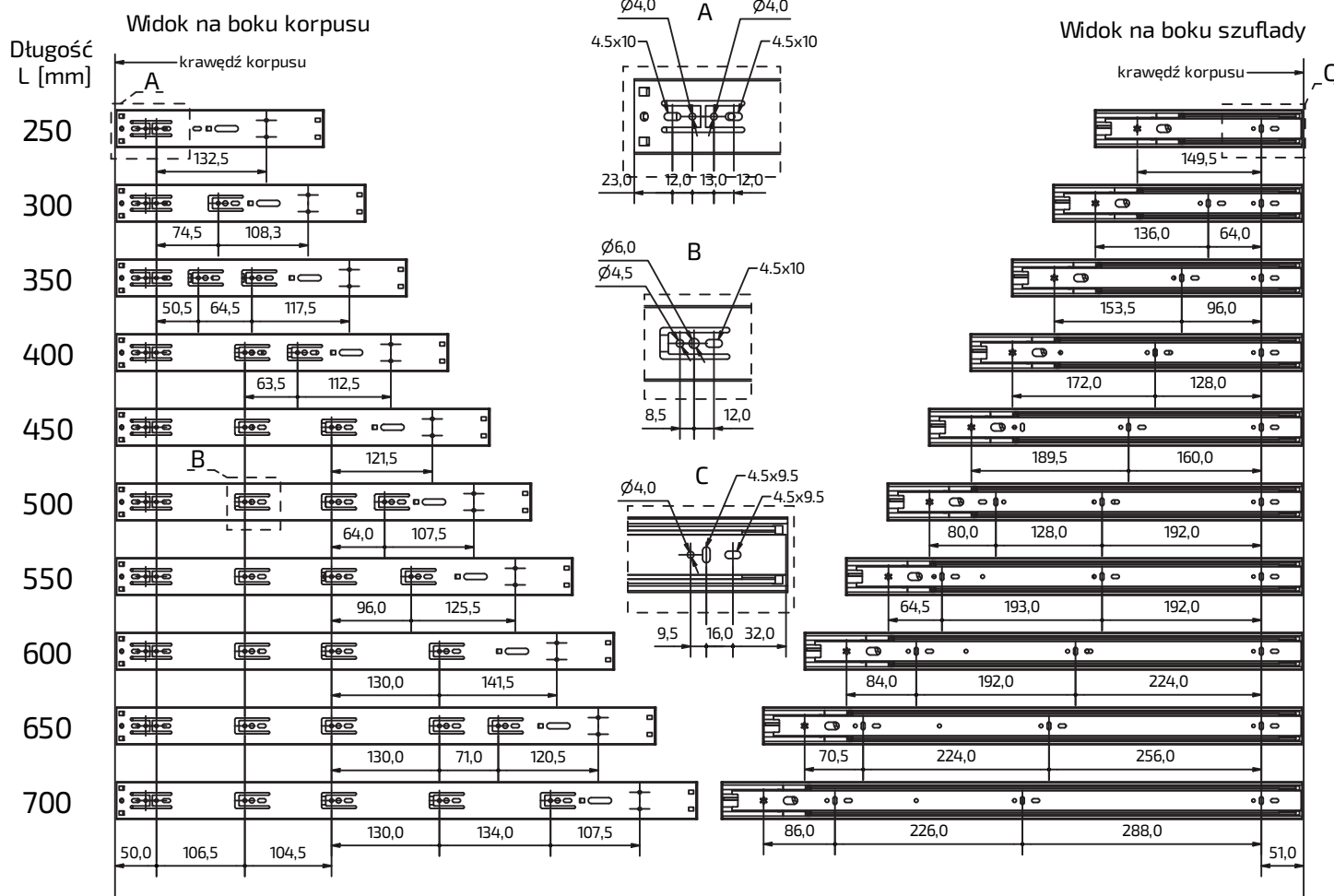
KARTA PRODUKTU

Prowadnica kulkowa

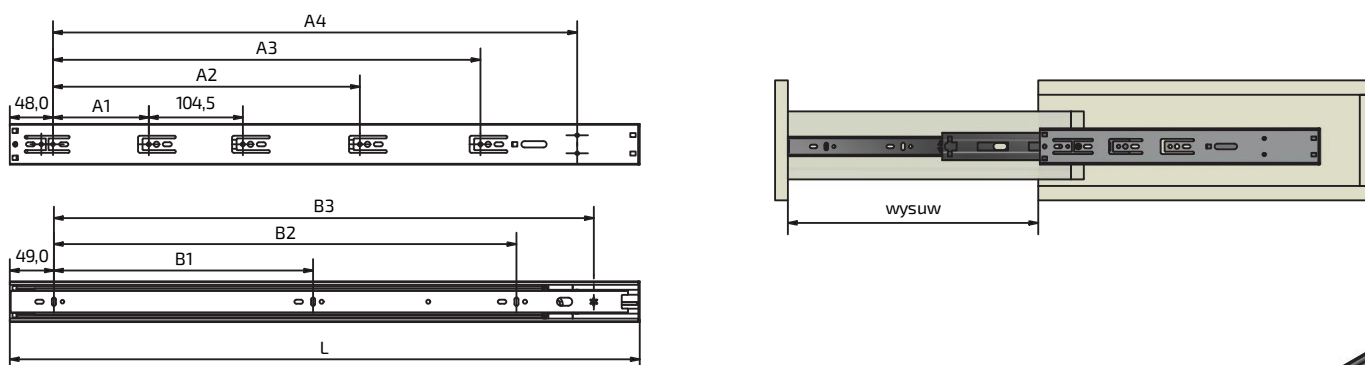
DB/45 ST PERFECT



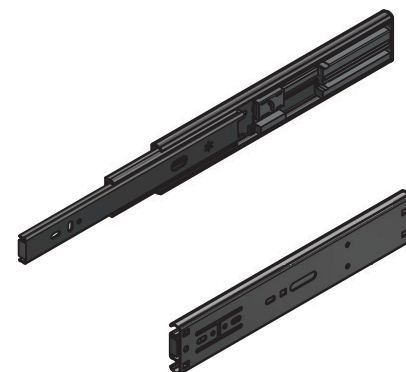
Układ otworów



Wysuw



| model | L [mm] | wysuw [mm] | A1 | A2 | A3 | A4 | B1 | B2 | B3 |
|-----------------------|--------|------------|-------|-----|------|-------|-----|-----|-------|
| DB/45 ST PERFECT -250 | 250 | 148 | - | - | - | 132,5 | - | - | 169,5 |
| DB/45 ST PERFECT -300 | 300 | 248 | - | - | 74,5 | 182,8 | 64 | - | 200 |
| DB/45 ST PERFECT -350 | 350 | 315 | 50,5 | - | 115 | 232,5 | 96 | - | 249,5 |
| DB/45 ST PERFECT -400 | 400 | 378 | 106,5 | - | 170 | 282,5 | 128 | - | 300 |
| DB/45 ST PERFECT -450 | 450 | 446 | 106,5 | - | 211 | 332,5 | 160 | - | 349,5 |
| DB/45 ST PERFECT -500 | 500 | 496 | 106,5 | - | 275 | 382,5 | 192 | 320 | 400 |
| DB/45 ST PERFECT -550 | 550 | 546 | 106,5 | - | 307 | 432,5 | 192 | 385 | 449,5 |
| DB/45 ST PERFECT -600 | 600 | 596 | 106,5 | - | 341 | 482,5 | 224 | 416 | 500 |
| DB/45 ST PERFECT -650 | 650 | 646 | 106,5 | 341 | 412 | 532,5 | 256 | 480 | 549,5 |
| DB/45 ST PERFECT -700 | 700 | 696 | 106,5 | 341 | 475 | 582,5 | 288 | 514 | 600 |

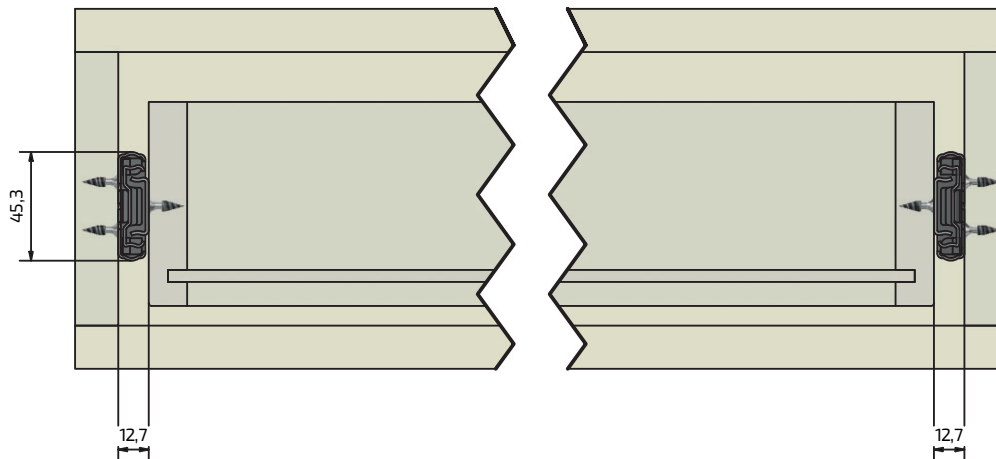


KARTA PRODUKTU
Prowadnica kulkowa
DB/45 ST PERFECT



Wymiary montażowe

Widok szuflady od frontu



Montaż prowadnic do szuflady i korpusu

